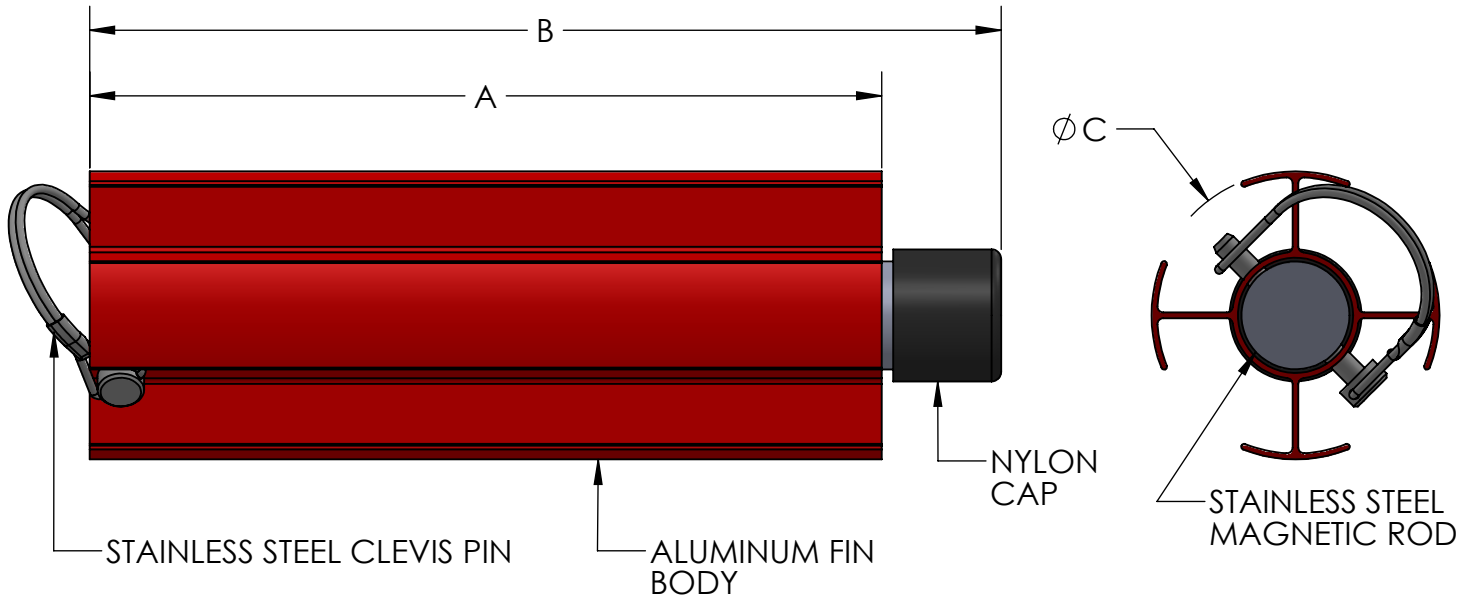


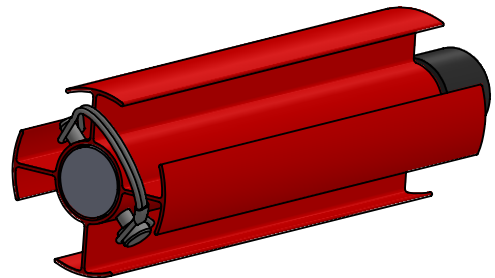
# BASKET MAG

MAGNETIC INSERT FOR BASKET STRAINERS



| QTY | PART NUMBER | NOMINAL SIZE | A     | B      | C     | PROJECT INFO |
|-----|-------------|--------------|-------|--------|-------|--------------|
|     | BSKMAG0304  | 3" / 4"      | 6.50" | 7.50"  | 1.80" |              |
|     | BSKMAG0506  | 5" / 6"      | 7.50" | 7.50"  | 1.80" |              |
|     | BSKMAG0800  | 8"           | 8.50" | 10"    | 3"    |              |
|     | BSKMAG1000  | 10"          | 12"   | 13.50" | 3"    |              |
|     | BSKMAG1200  | 12"          | 18"   | 19.50" | 3"    |              |

APPLICATION NOTES:  
 MAX PRESSURE: 175 PSI  
 MAX TEMPERATURE: 175°F



CUSTOMER: \_\_\_\_\_

PROJECT: \_\_\_\_\_

ENGINEER: \_\_\_\_\_

|   |                         |
|---|-------------------------|
| REV.  | DATE                    |
|   |                         |
| 2323 W. HUBBARD ST.<br>CHICAGO, IL 60612<br>TEL: 312-738-3800<br>FAX: 312-738-0415<br>WWW.METRAFLEX.COM |                         |
| <h2>BASKET MAG STRAINER</h2>  |                         |
| MAGNETIC INSERT FOR BASKET STRAINER   |                         |
| DRAWN BY: <b>JK, DR</b>   | DATE: <b>11/18/2024</b> |
| APPROVED:   | DATE:                   |
| SCALE: N/A  | DRAWING NUMBER: BSKMAG  |