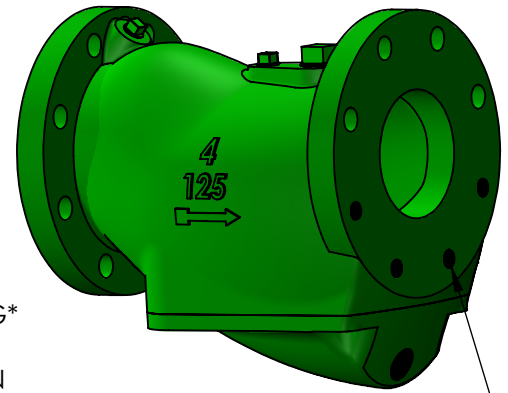
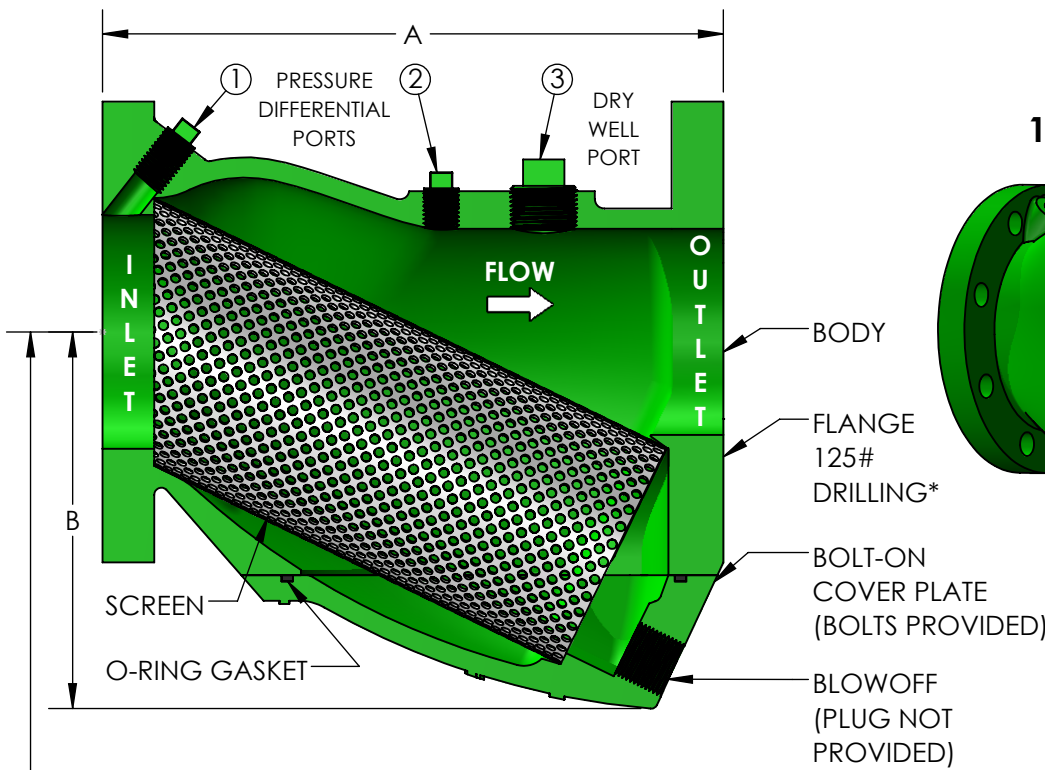


# MODEL LPD LOW PRESSURE DROP 125# FLANGED STRAINER



\*TAPPED BOLT HOLES - HALF OF THE BOLT HOLES ON THE OUTLET END ARE TAPPED. SEE TAP SIZE BELOW FOR SIZING. STUDS PROVIDED FOR TAPPED HOLES.

### STANDARD SCREENS

SERVICE	SIZE	PERF
LIQUID	2" - 3"	.045"
	4" - 8"	.125"
STEAM	2" - 6"	.045"
	8"	.062"

### OPERATING TEMPERATURE/PRESSURE

WATER, OIL, GAS..... 175 PSI @ 150°F  
STEAM..... 125 PSI @ 350°F

C (CLEARANCE TO REMOVE STRAINER FROM BELOW)  
\*IF THERE IS NOT ENOUGH CLEARANCE BELOW STRAINER, PRODUCT CAN BE ROTATED 90° AXIALLY TO PROVIDE CLEARANCE OR FOR STEAM APPLICATION TO MINIMIZE CONDENSATE COLLECTION

### MATERIALS OF CONSTRUCTION

BODY, FLANGES, COVER PLATE - CAST IRON  
SCREEN - 304 STAINLESS STEEL  
O-RING GASKET - VITON

QTY	PART NUMBER	PIPE SIZE		A	B	C	#Cv (GPM)	SCREEN AREA (in <sup>2</sup> )	PORT SIZE (NPT)		BLOWOFF SIZE (NPT)	TAP SIZE (UNC)	TAP DEPTH	WEIGHT (LBS)
		INCH	MM						1 & 2	3				
	LPD0200	2"	50	7-7/8"	4-5/8"	9-5/8"	120	52.0	1/4"	1/2"	3/4"	5/8"-11	0.5"	20
	LPD0250	2-1/2"	65	10"	5-1/4"	11-7/8"	160	84.6	1/4"	1/2"	3/4"	5/8"-11	0.5"	30
	LPD0300	3"	80	10-1/8"	6-1/4"	12-7/8"	236	99.0	1/4"	1/2"	1"	5/8"-11	0.875"	50
	LPD0400	4"	100	12-1/8"	7-3/8"	15-1/4"	460	147.3	3/8"	1"	1"	5/8"-11	0.875"	75
	LPD0500	5"	125	15-5/8"	8-3/8"	19"	600	226.5	3/8"	1"	1-1/2"	3/4"-10	0.875"	115
	LPD0600	6"	150	18-1/2"	10-5/8"	23"	952	317.6	3/8"	1"	1-1/2"	3/4"-10	0.875"	154
	LPD0800	8"	200	22-1/2"	13"	28-3/8"	1580	515.0	3/8"	1"	1-1/2"	3/4"-10	1"	273

# Cv IS THE FLOW RATE IN GALLONS OF 60°F WATER THAT WILL PASS THROUGH THE STRAINER IN 1 MINUTE AT A 1 PSI PRESSURE DROP.

### NSF 372 - LEAD FREE

The wetted surface of this product contacted by consumable water contains less than one quarter of one percent (0.25%) of lead by weight. Material complies with state codes and standards, where applicable, requiring reduced lead content.

CUSTOMER: \_\_\_\_\_

PROJECT: \_\_\_\_\_

ENGINEER: \_\_\_\_\_

9	C DIM AND STUD CALLOUT ADDED, 10"-16" ALLOCATED TO NEW SUBMITTAL	7/7/2022
8	14" AND 16" ADDED	6/10/2020
7	2-1/2" BLOWOFF ADJUSTED	4/12/2018
REV.	6 BLOWOFF ADJUSTED	DATE 12/6/2016

**Metraflex**  
for pipes in motion

2323 W. HUBBARD ST.  
CHICAGO, IL 60612  
TEL: 312-738-3800  
FAX: 312-738-0415  
WWW.METRAFLEX.COM

### MODEL LPD

LOW PRESSURE DROP 125# FLANGED STRAINER

DRAWN BY: DKISH	DATE: 11/23/2015
APPROVED: JR	DATE: 11/23/2015
SCALE: N/A	DRAWING NUMBER: LPD-8