

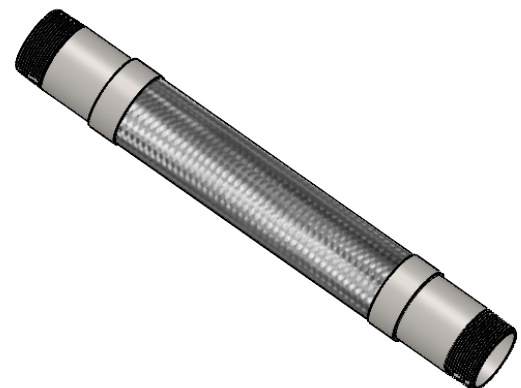
Note: Do not use wrenches on hose or braid collar.

Qty	Model	Size I.D. (in)	A (in)	Pressure @ 70°F (PSI)	Weight (Lbs)	Project Info
	GASST0050	1/2	16-7/8	150	0.8	
	GASST0075	3/4	18-3/8	150	1.4	
	GASST0100	1	19-3/8	150	1.8	
	GASST0125	1-1/4	19-3/8	150	2.3	
	GASST0150	1-1/2	20-1/8	150	2.9	
	GASST0200	2	20-7/8	150	3.9	
	GASST0250	2-1/2	22-1/2	150	5.7	
	GASST0300	3	25-5/8	150	8.1	
	GASST0400	4	30-1/4	150	11.9	

MAX INTERMITTENT OFFSET FROM CENTERLINE: 2"  
CONTACT METRAFLEX FOR CUSTOM LENGTHS.

### LEAD FREE

The wetted surface of this product contacted by consumable water contains less than one quarter of one percent (0.25%) of lead by weight. Material complies with state codes and standards, where applicable, requiring reduced lead content.



CUSTOMER: \_\_\_\_\_

PROJECT: \_\_\_\_\_

ENGINEER: \_\_\_\_\_

REV.	DATE
2323 W. HUBBARD ST. CHICAGO, IL 60612 TEL: 312-738-3800 FAX: 312-738-0415 WWW.METRAFLEX.COM	
<b>MODEL GASST</b> FLEXIBLE CONNECTOR FOR GAS SERVICE	
DRAWN BY: <b>DEVINR</b>	DATE: <b>05/15/2024</b>
APPROVED:	DATE:
SCALE: <b>NONE</b>	DRAWING NUMBER: <b>GASST</b>