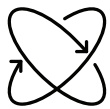


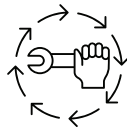


The MetraClamp

Ensure no-hub connections survive a seismic event with the new **MetraClamp** pipe restraint.



Built to restrain torque and resist axial movement.



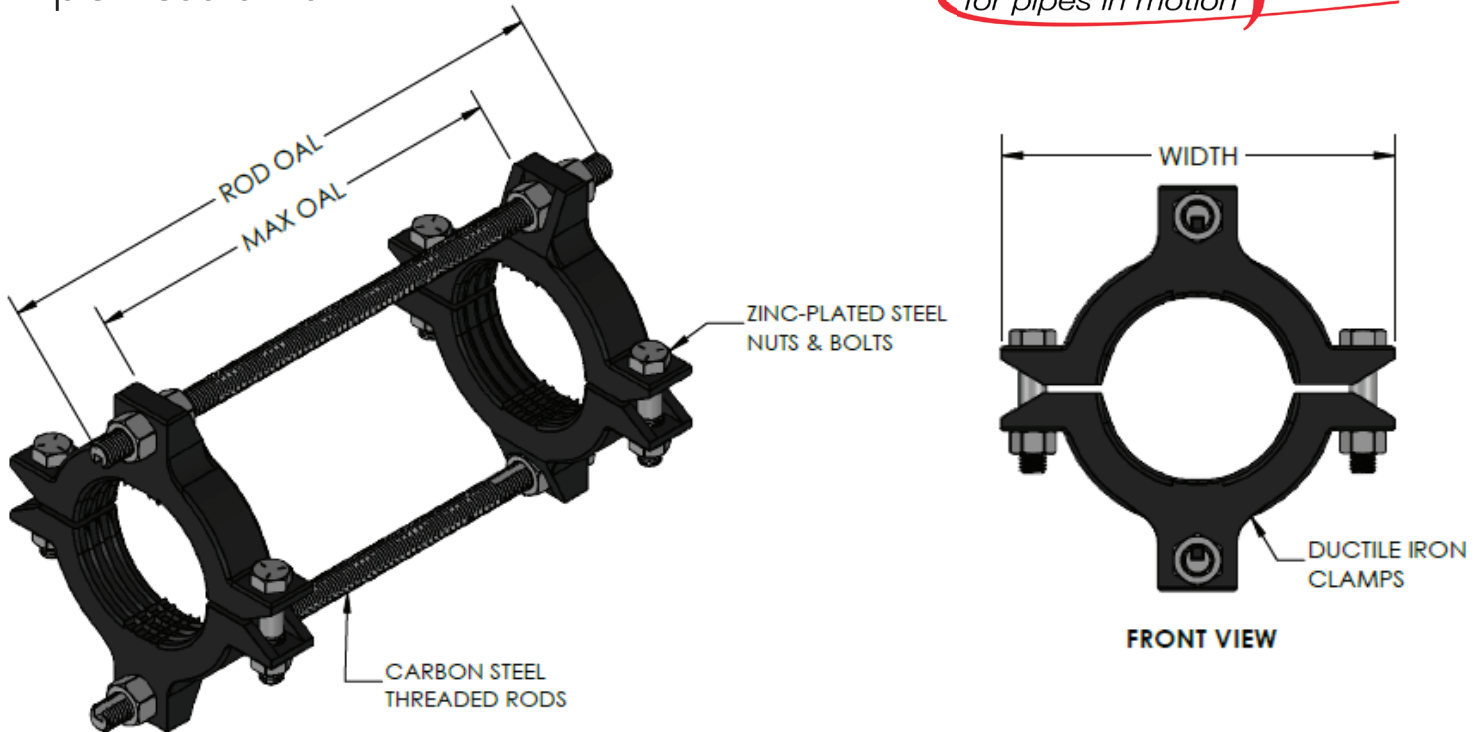
Can be installed over existing no-hub couplings.



Helps to protect your system from seismic events.

The MetraClamp

Pipe Restraint



Ductile Iron Piping

PART NUMBER	PIPE SIZE	WIDTH	MAX OAL	ROD OAL
MCLAMPDI0300	3"	8-1/2"	7-3/4"	12"
MCLAMPDI0400	4"	9-1/4"	7-3/4"	12"
MCLAMPDI0500	5"	10"	7-3/4"	12"
MCLAMPDI0600	6"	12"	7-3/4"	12"
MCLAMPDI0800	8"	14-1/4"	7-3/4"	12"
MCLAMPDI1000	10"	16-1/4"	7-3/4"	12"
MCLAMPDI1200	12"	18"	7-3/4"	12"

Cast Iron Piping

PART NUMBER	PIPE SIZE	WIDTH	MAX OAL	ROD OAL
MCLAMPICI0300	3"	8-1/2"	7-3/4"	12"
MCLAMPICI0400	4"	9-1/4"	7-3/4"	12"
MCLAMPICI0500	5"	10"	7-3/4"	12"
MCLAMPICI0600	6"	12"	7-3/4"	12"
MCLAMPICI0800	8"	14-1/4"	7-3/4"	12"
MCLAMPICI1000	10"	16-1/4"	7-3/4"	12"
MCLAMPICI1200	12"	18"	7-3/4"	12"